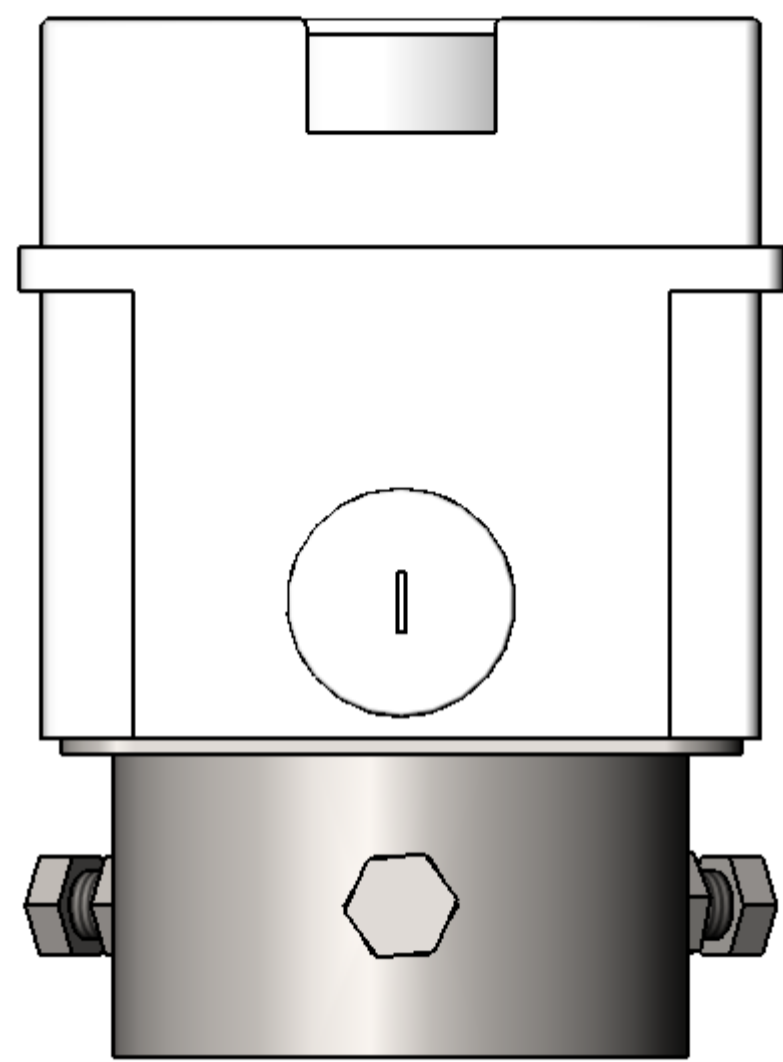
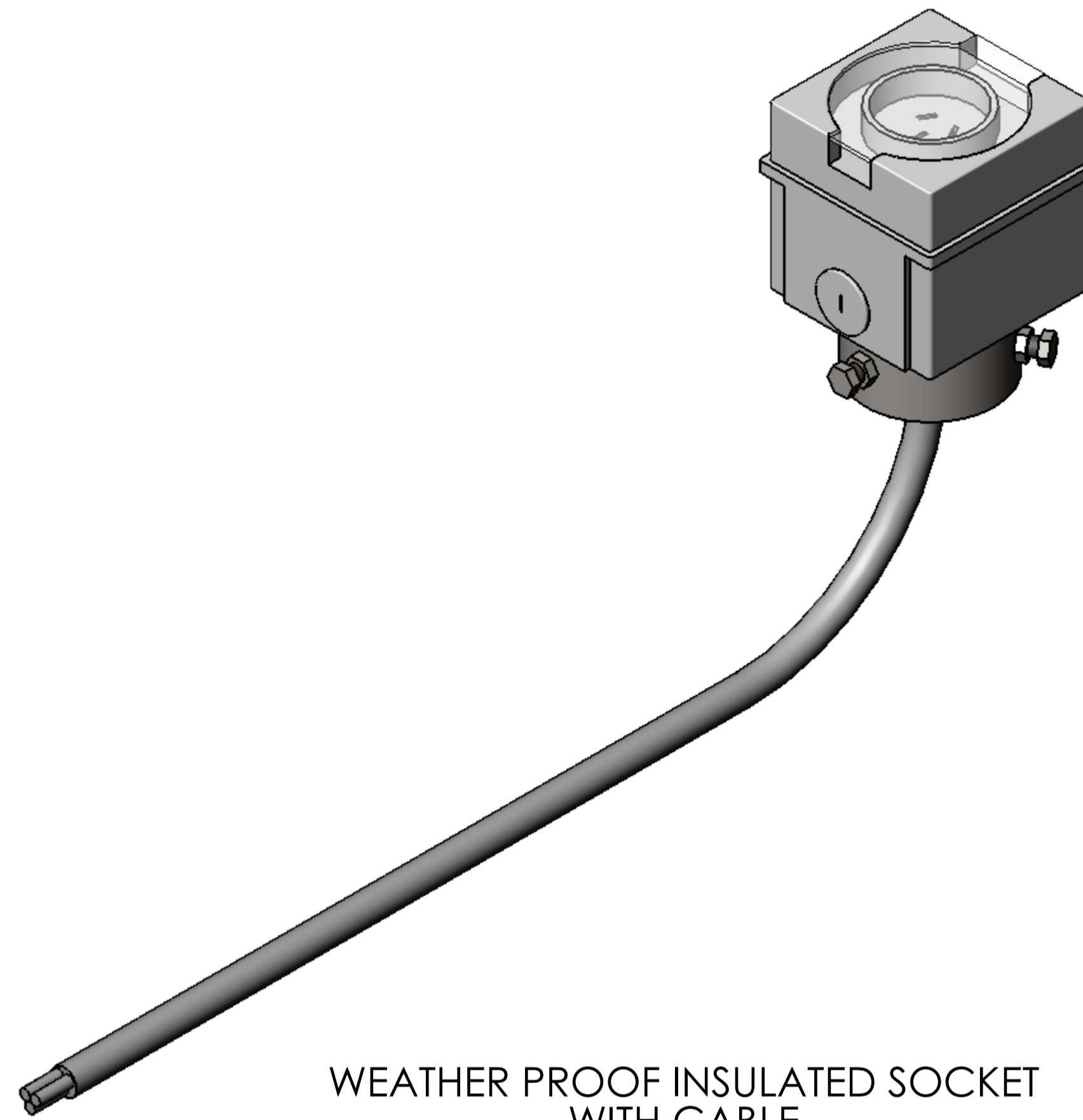


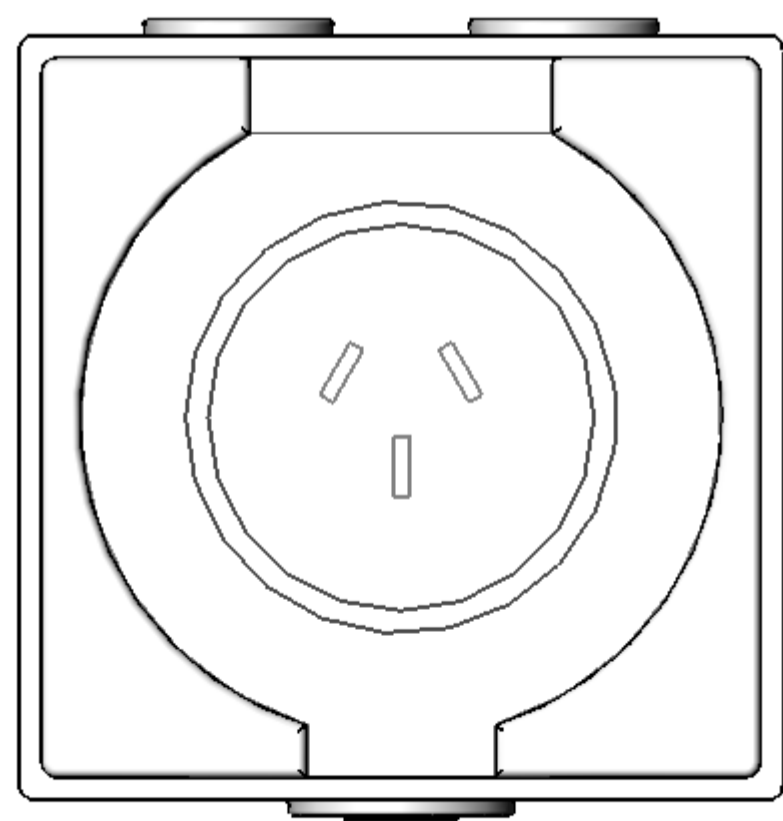
PART	PART NUMBER
WEATHER PROOF INSULATED SOCKET	PUNDMR



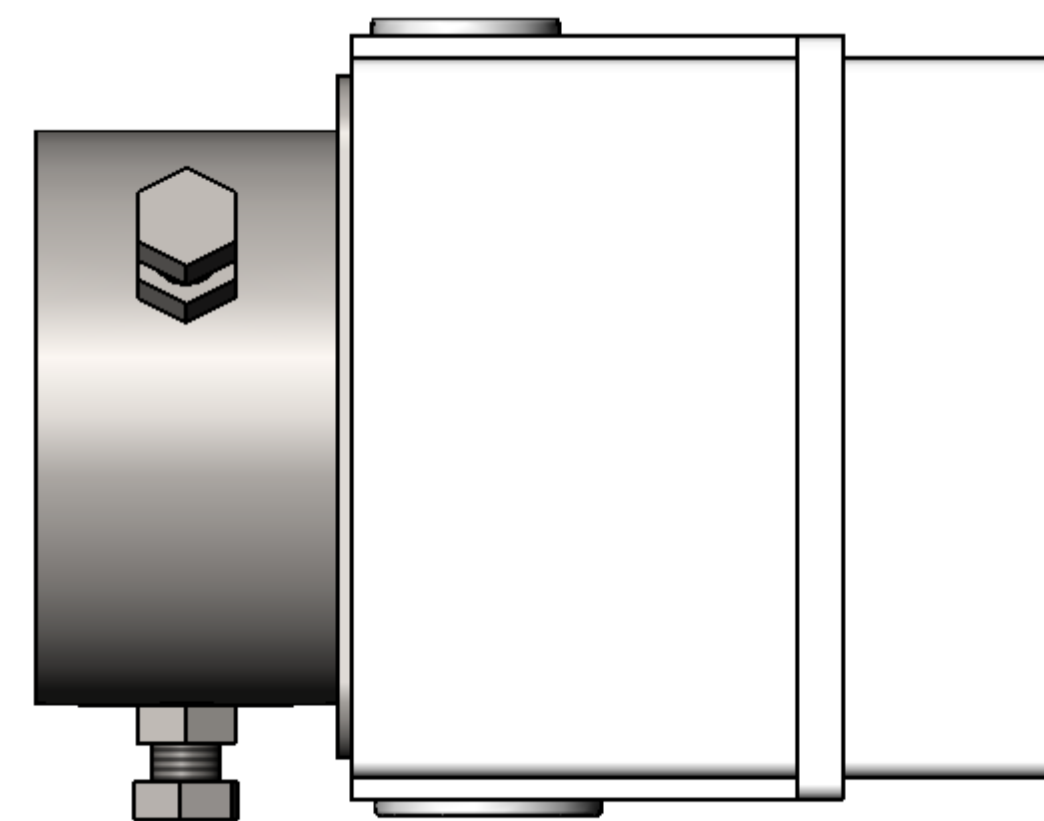
TOP VIEW



WEATHER PROOF INSULATED SOCKET WITH CABLE



PLAN VIEW



ELEVATION VIEW



PROPRIETARY AND CONFIDENTIAL
 THE INFORMATION CONTAINED IN THIS DRAWING IS THE SOLE PROPERTY OF PUNCH MANUFACTURING. ANY REPRODUCTION IN PART OR AS A WHOLE WITHOUT THE WRITTEN PERMISSION OF PUNCH MANUFACTURING IS PROHIBITED.

DIMENSIONS ARE IN MILLIMETERS
 TOLERANCES:
 FRACTIONAL ±
 ANGULAR: MACH ± BEND ±
 TWO PLACE DECIMAL ±
 THREE PLACE DECIMAL ±

	NAME	DATE
DRAWN		
CHECKED		
Q.A.		

Punch Manufacturing	
TITLE: WEATHER PROOF INSULATED SOCKET	
DWG NO. PMAN-DPTI-2004	A1
SCALE: 1:1	SHEET 1 OF 1

DO NOT SCALE DRAWING