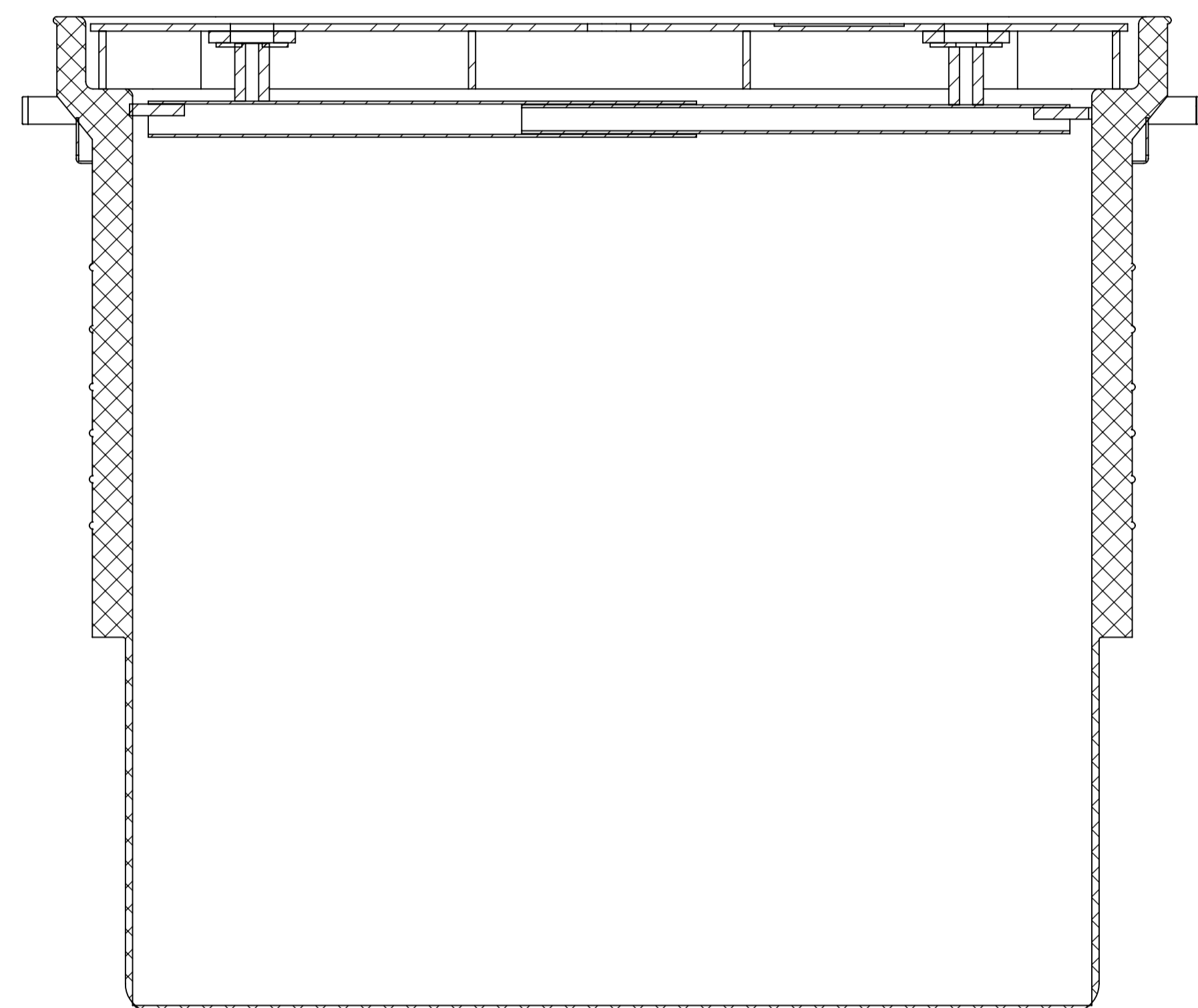
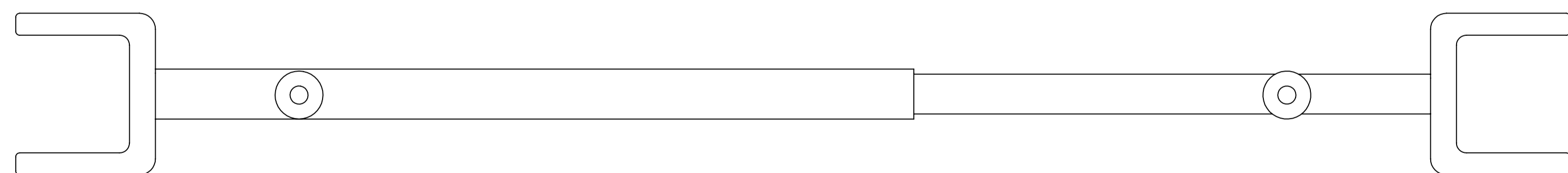


SECURE PIT LID TYPE P3 (TYPICAL)

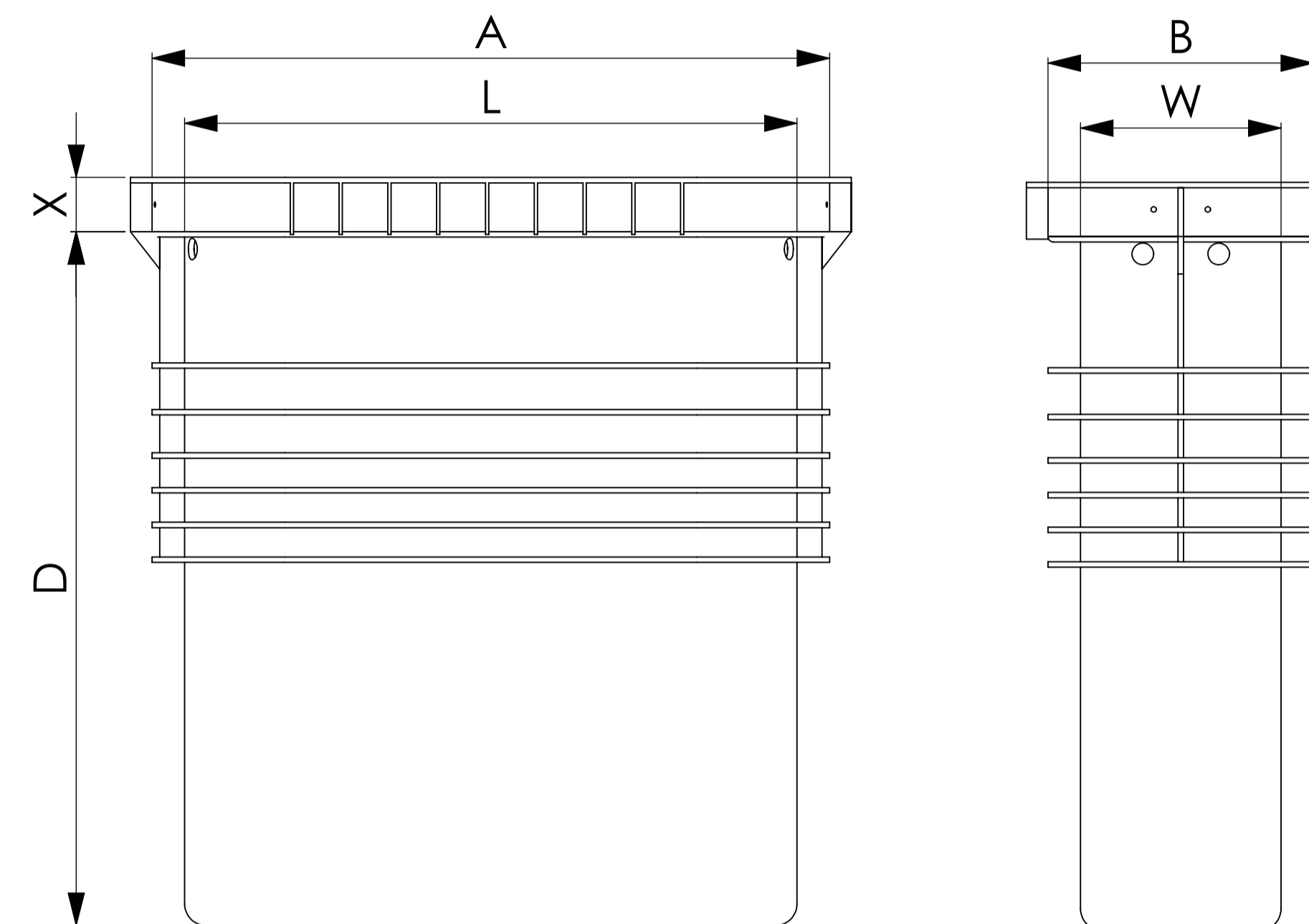


SECTION A-A
SCALE 1 : 3.5

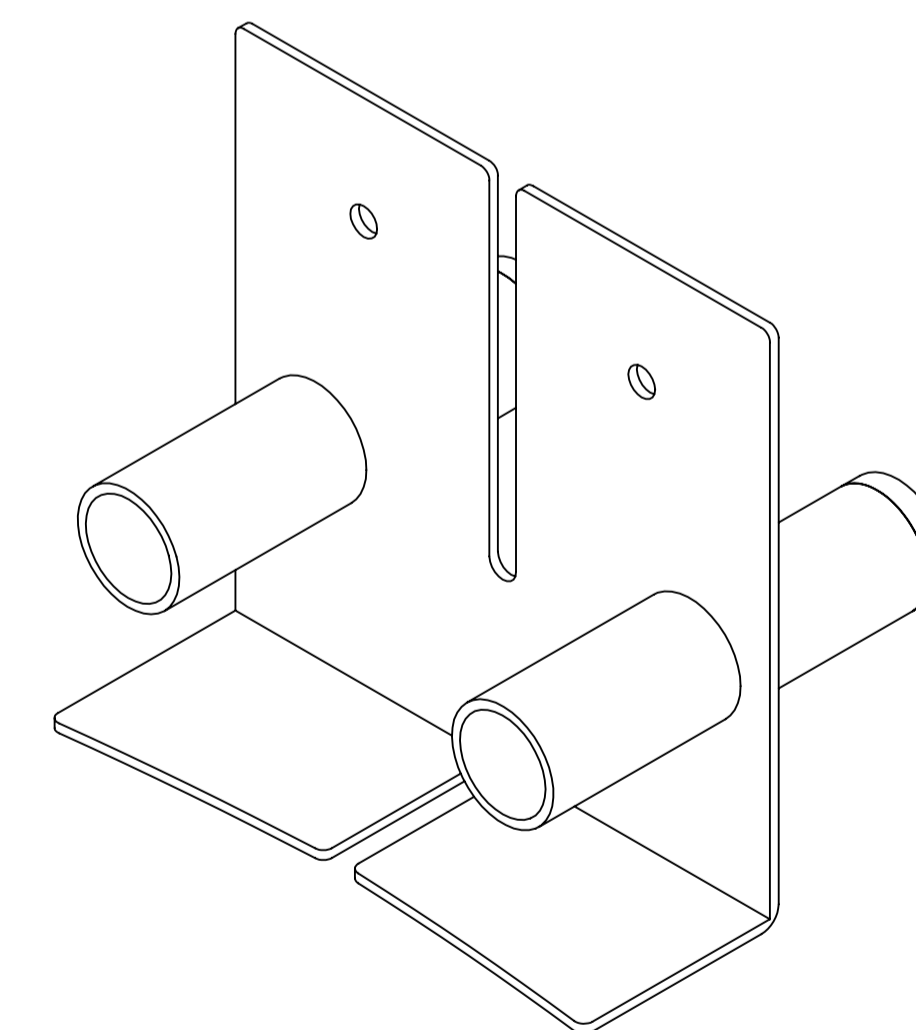


TYPICAL SECURING BAR FOR
SECURE STEEL PIT LIDS

PIT TYPE	TYPICAL PIT DIMENSIONS (mm)					
	A	L	B	W	X	D
P2	620	555	247	180	50	520
P4	730	665	296	240	55	577
P5	652	585	346	280	55	765
P6	650	580	405	320	55	575



PLASTIC PIT DIMENSIONS



SECURING BRACKET



PROPRIETARY AND CONFIDENTIAL
THE INFORMATION CONTAINED IN THIS DRAWING IS THE SOLE PROPERTY OF PUNCH MANUFACTURING. ANY REPRODUCTION IN PART OR AS A WHOLE WITHOUT THE WRITTEN PERMISSION OF PUNCH MANUFACTURING IS PROHIBITED.

DIMENSIONS ARE IN MILLIMETERS

TOLERANCES:
FRACTIONAL ±
ANGULAR: MACH ± BEND ±
TWO PLACE DECIMAL ±
THREE PLACE DECIMAL ±

DO NOT SCALE DRAWING

	NAME	DATE
DRAWN		
CHECKED		
Q.A.		

Punch Manufacturing

TITLE:
**SECURE STEEL PIT LIDS
CLASS B ASSEMBLY AND PITS**

DWG NO.
PMAN-DPTI-3000

SCALE: 1 : 1 SHEET 1 OF 1